



Pulsar® III-P



Model Pulsar® III-P

The ZERO Pulsar® III-P is a high-production, blast cabinet designed specifically to enhance productivity and efficiency by offering a safe work station for production blast operators.

Pulsar® III-P Pressure Cabinet Features:

Safety

- Door interlock system interrupts blasting when either door is opened
- Optional time-delay locking system keeps doors locked after blasting stops
- Double-wall, insulated doors, reduce exterior noise
- Industrial-quality lift-off hinges allow easy door removal
- Full-opening doors maximize work chamber capacity and eases loading large parts
- Full-length, neoprene-on-fabric gloves protect operator
- Ceiling light fixture maximizes window view area and offers commanding view of interior

Productivity

- Unique air logic system maximizes air and media flow for blasting
- ASME-code pressure vessel, 1.0 cu ft capacity, with 1" piping
- Industrial-quality, coupled two-braid blast hose and tungsten carbide nozzle
- Reverse-pulse cartridge dust collector evacuates spent media and ensures optimal visibility for blasting; traps 99.7% of dust down to 0.5 micron
- Adjustable chrome latches seal doors tight through years of service

Convenience

- Tilt-out window allows tool-free glass changes in minutes
- Easy-to-reach pressure regulator, gauge, and electric switch
- Built-in air gun conveniently located inside allows part blow-off inside cabinet

**Clean
Peen
Deburr
Finish
Prep Surfaces**



Tungsten Carbide Blast Nozzle

The system comes with a 3/16" orifice, tungsten carbide pressure blast nozzle, which consumes 38 cfm of compressed air when blasting at 80 psi. The nozzle's long-wearing properties ensure hundreds of hours of service with glass bead media.

Popular Accessories

- Air-powered Vertical Lift Doors
- Alox Kit for Use with Harsh Media
- Dust Collector Auto-pulse Kit
- HEPA Filter
- Pass-through Doors
- Rubber Wall Curtains
- Steel Media Kit
- Time-delay Door Locks
- Turntable & Track Assembly

Common Applications

- Cleaning parts
- Deburring machined parts
- Stripping paint
- Improving surface finish
- Removing carbon build up
- Removing heat scale
- Applications too numerous to list

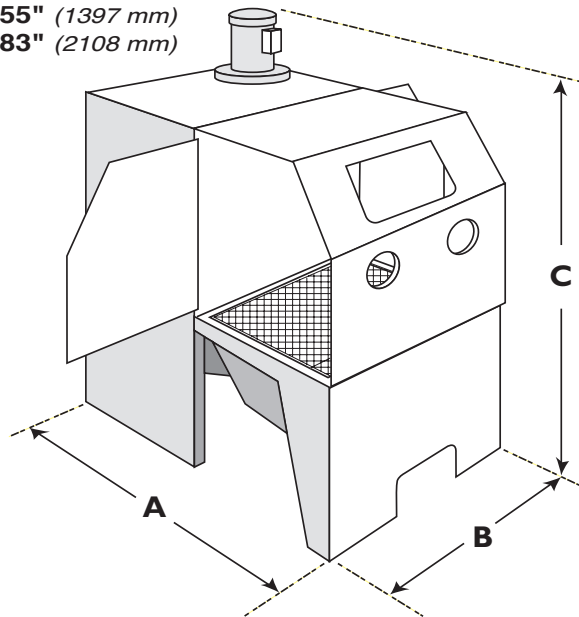
S P E C I F I C A T I O N S

COMPLETE SYSTEM

Actual space requirements depend on desired work flow. Allow additional work space for operator and maintenance.

Pulsar® III-P

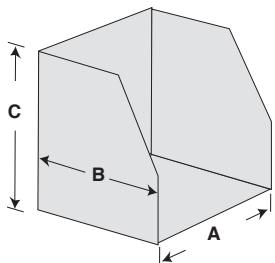
- A. 81" (2057 mm)
- B. 55" (1397 mm)
- C. 83" (2108 mm)



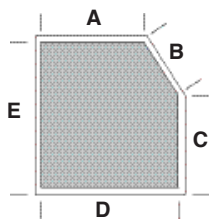
CABINET

Working Chamber Size

- A. 36" wide (914 mm)
- B. 35" deep (889 mm)
- C. 37" high (940 mm)



Door Opening



- A. 24" (610 mm)
- B. 17.5" (445 mm)
- C. 19" (483 mm)
- D. 32.5" (826 mm)
- E. 34" (9837 mm)

Electrical

1HP, 115V, 1PH, 60HZ,
(.75KW, 220V, 1PH, 50HZ)
Some installations may require
electrical connection
by a qualified electrician.

Window Size (safety glass)

19.5" wide (495mm)
12.5" high (318 mm)

Model Pulsar® III-P System Description

Heavy-duty 14-gauge cabinet shell, all-welded construction; 12.5" x 19.5" safety-glass view window; fluorescent lighting with dual 20-watt tubes; heavy-duty industrial-quality adjustable chrome latches; unique air-logic system to maximize efficient use of compressed air, provides optimal media reclamation and dust collection; cabinet-mounted reverse-pulse dust collector with 1 HP motor and 195 square feet of filter area; compressed-air filter; pressure regulator; easily removable dust drum for material disposal; 1.0 cu ft capacity ASME-code pressure vessel.

PRESSURE BLAST AIR REQUIREMENTS

NOZZLE	NOZZLE ORIFICE	CFM at 80 PSI	M ³ /Min at 5,5 BAR	CFM at 100 PSI	M ³ /Min at 7 BAR
No. 2	1/8"	17	0,5	20	0,6
No. 3	3/16"	38	1,08	45	1,3
No. 4	1/4"	68	1,93	81	2,3
No. 5	5/16"	113	3,20	137	4,0

Reclaimer Flow Rate

Pulsar® III-P: Nominal 600 cfm

DUST COLLECTOR

Reverse-pulse cartridge dust collector (which traps 99.7% of dust down to 0.5 micron) allows non-stop, high-production blasting. The polyester-cellulose cartridge is cleaned for maximum filter efficiency every time the foot pedal is pressed and released. A dust collector auto-pulse kit is available as an option. Worn cartridge can be replaced in minutes.

Filtering Area

Pulsar® III-P 195 ft² (18,1m²) Dust concentration in exhausted air is nominally 5.0 mg/m³.

For especially dust-sensitive work environments, order the optional HEPA filter.

ORDERING INFORMATION

Model	Stock No.	Shipping Weight	
		lb	kg
Pulsar® III-P	24746	1260	(573)

Distributed By:

Clemco is committed to continuous product improvement. Specifications are subject to change without notice.

ISO 9001:2008 certified.

© 2013 Clemco Industries Corp. • One Cable Car Drive • Washington, MO 63090 • (636) 239-0300 • FAX (800) 726-7559

Stock No.: 25989

info@www.clemcoindustries.com • www.clemcoindustries.com

0812 Rev. A 05/13