



★★★★  
MADE IN THE  
USA

## BNP 220 SUCTION BLAST CABINET

EFFICIENTLY AND AFFORDABLY CLEAN, DEBURR, PEEN, OR FINISH PARTS

**IMPORTANT:** For safe, efficient blasting, read and follow the operations manual and seek training for everyone who will use this equipment.



**BNP blast cabinets deliver efficient, affordable media blasting to clean, peen, deburr, or finish parts.**

### SAFETY & PRODUCTIVITY

- Unique Air-Logic system (pilot-actuated) maximizes blast-gun air flow.
- Double-wall, sound-insulated doors, with industrial quality lift-off hinges.
- 14ga steel all-welded construction, with precisely formed bends, forms a rigid, long-lasting cabinet shell.
- Ceiling-mounted, 50W LED light fixture with abrasive-resistant cover for superior visibility.
- Safety interlocks interrupt blasting if either door is opened.

### CONVENIENCE

- Tilt-out window, for tool-free glass changes in minutes.

- Pressure regulator, gauge, and electric switch mounted within easy reach.
- Built-in blow-off gun helps keep dust inside the cabinet, not on your floor.

### COMMON APPLICATIONS

- Remove rust, mill scale, heat scale, and carbon buildup from metals.
- Strip paint, powder coating, plating, and anodizing from parts for rework.
- Eliminate burrs, parting lines, flashings, and other defects from castings and injection-molded parts.
- Extract residual sand from castings.
- Beautify steel, stainless steel, aluminum, brass and other metals with a uniform matte finish.
- Etch artwork and lettering into glass, stone, plastics, metal and other materials.
- Clean release agents and material buildup from molds.

### POPULAR ACCESSORIES

- A-300 automation kit
- Adjustable gun mount
- Alox kit (for harsh media)
- Air-powered vertical lift door
- Anti-fatigue mat
- Arm rest assembly
- Curtains (black or white)
- HEPA filter
- Manometer kit
- Noise reduction arm port baffles
- Timed door release
- Two gallon tumble basket
- 20" & 30" dia. turntables with or without workcar and 8 foot track extension

### BNP BLAST GUN

Sets the industry standard for performance, versatility, and durability. The ergonomic grip increases productivity by reducing operator fatigue.

## COMPLETE SYSTEM

Space required depends on configurations, options and work flow. Allow space for operator and maintenance access. See maintenance access height (MAH) below.

**Model illustrated:** BNP-220S-900 RPH, 900 CFM Reclaimer (free standing) and RPH filter

### BNP-220S

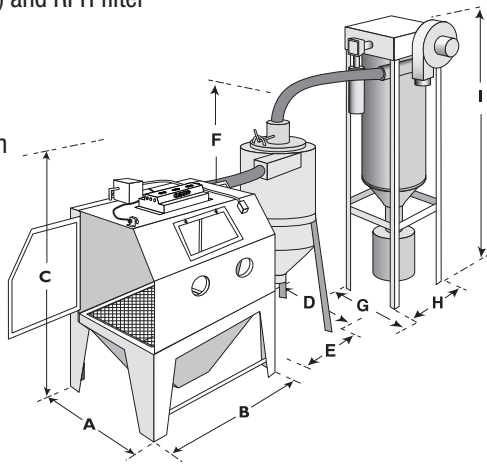
- A - 40" deep
- B - 53" wide
- C - 83.5" high

### 900 cfm Reclaimer

- D - 42" deep
- E - 48" wide
- F - 89" high

### RPH-2

- G - 36" deep
- H - 56" wide
- I - 115" high



## CABINET

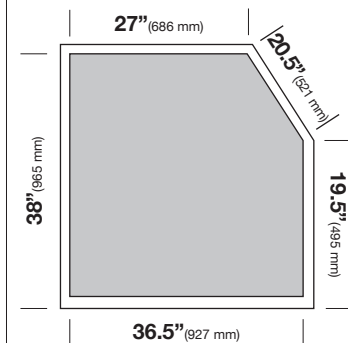
### Working Chamber

- 50" wide (914 mm)
- 39" deep (889 mm)
- 43" high (940 mm)

### Window (safety glass)

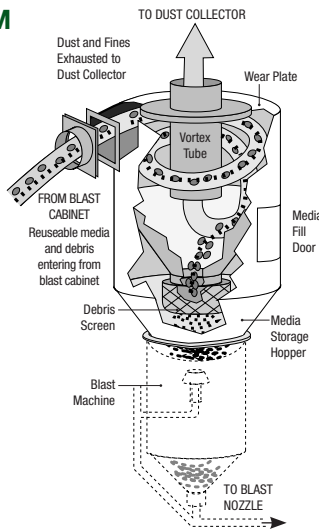
- 19.5" wide (495 mm)
- 12.5" high (317 mm)

### Door Opening



## BLAST RECLAIM SYSTEM

Our exclusive media reclaimers continuously extract dust and debris and return properly sized, usable media to the blast system. The standard reclaimer handles all non-metallic media. For metallic media, choose from the two PM models. The reclaimer, mounted atop the pressure vessel, automatically refills the blast system with clean, recycled media. The versatile design of our larger reclaimers lets you quickly adapt the system to your changing needs.



## BNP BLAST GUN (AIR CONSUMPTION)

Nozzle	Nozzle Orifice	Air Jet	CFM at 80 psi	M <sup>3</sup> /Min at 5.5 BAR	Minimum Reclaimer
No. 4	5/16"	1/8"	21	0,60	300 cfm (8,5 m <sup>3</sup> /m)
No. 5	5/16"	5/32"	32	0,90	300 cfm (8,5 m <sup>3</sup> /m)
No. 6	3/8"	3/16"	48	1,35	600 cfm (17 m <sup>3</sup> /m)
No. 7	7/16"	7/32"	62	1,76	600 cfm (17 m <sup>3</sup> /m)
No. 8	1/2"	1/4"	85	2,41	600 cfm (17 m <sup>3</sup> /m)

BNP220 Suction Cabinets come with a No. 5 BNP Blast Gun with a ceramic nozzle, which is ideal for bead blasting. Other sizes and liner materials are available, such as tungsten or boron carbide nozzles for blasting with aggressive abrasives.

## METALLIC MEDIA APPLICATIONS

The reclaimer, flex hose, and adaptors must be appropriately sized. Rubber curtains are recommended. "M" in cabinet model signifies cabinet is steel-ready. Your distributor has field conversion information.

## DUST COLLECTORS

**ZERO RP Dust Collectors trap 99.7% of dust particles down to 0.5 micron.**

**CDC-1:** CDC-1 Dust Collectors come in 300 cfm, 600 cfm, and 900 cfm sizes. The cartridges are pulse-cleaned; press the manual pulse-valve to clear the filter of dust. They are 34" W, 42" D (with motor housing) and 94" H. MAH is 11 ft for 300 cfm and 600 cfm units, 12.5 ft for 900 cfm units.

**RPH:** The RPH-2 filter area is 470 sq ft; the RPH-3 filter area is 705 sq ft. Both have a built-in hopper to minimize dust handling. At each pulse, dust falls into the hopper and then into a disposal drum or bag. Operators never handle dust, an important safety feature. RPH Dust Collectors are 56" W (with motor housing), 36" D by 115" H. They allow for outdoor installation. The MAH for RPH units is 15 ft 2".

## ELECTRICAL

**600 CFM:** (17 m<sup>3</sup>/m) 1HP, 115V, 1PH, 60HZ, (.75KW, 220V, 1PH, 50HZ); 600 CFM model also available with three phase motor. Specify 230 v or 460v

**900 CFM:** (25 m<sup>3</sup>/m) 2HP, 220V, 3PH, 60HZ, (1.5KW, 220V, 3PH, 50HZ)

## ORDERING INFORMATION

Model-Recl-D/C	Conv. Single Phase	Conv. Three Phase	Ship Wt. lb (kg)
BNP-220S-600 CDC	28166	28167	1,025 (465)
BNP-220S-600 RPH	24785	24798	1,870 (848)
BNP-220S-900 CDC		28168	1,155 (524)
BNP-220S-900 RPH		19965	2,010 (912)
BNP-220SM-900 CDC	28416		1,396 (623)